

6

5

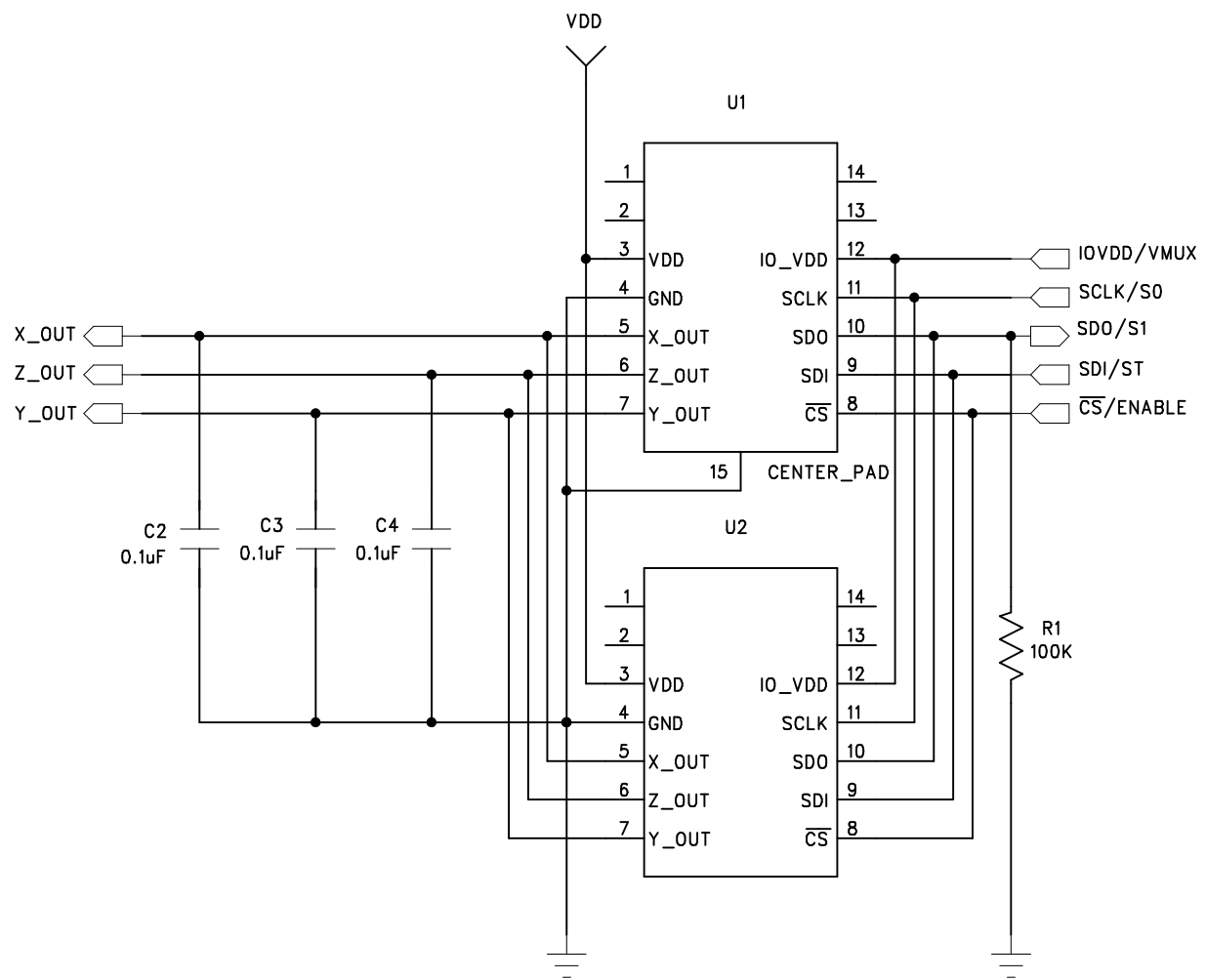
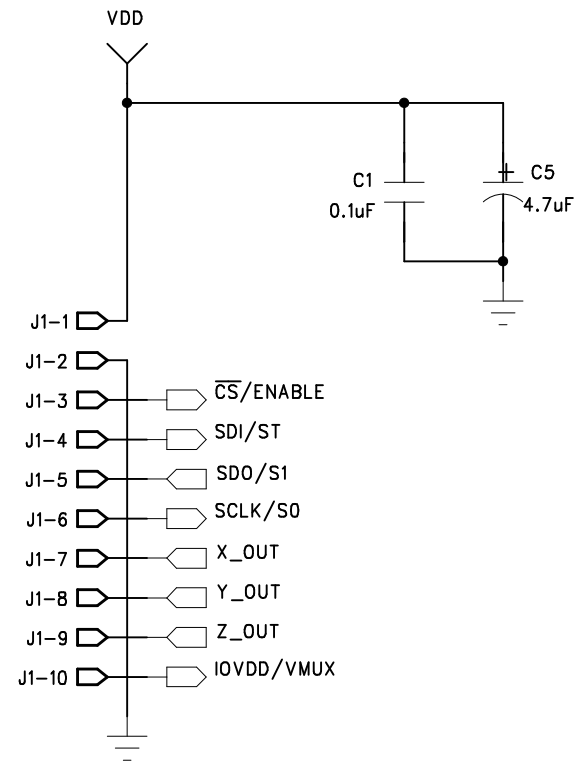
4

3

2

1

REVISION RECORD			
LTR	ECO NO:	APPROVED:	DATE:



COMPANY: Kionix, Inc.

TITLE: KXPA4/KXP74 Evaluation Board

DRAWN: Bob Ross	DATED: 2/13/07
CHECKED:	DATED:
QUALITY CONTROL:	DATED:
RELEASED:	DATED:

CODE:	SIZE: B	DRAWING NO: KAMMDM001R17	REV: 0
-------	------------	-----------------------------	-----------

SCALE: SHEET: 1 OF 1

D

C

B

A

D

C

B

A