

6

5

4

3

2

1

REVISION RECORD			
LTR	ECD NO.	APPROVED:	DATE:

D

C

B

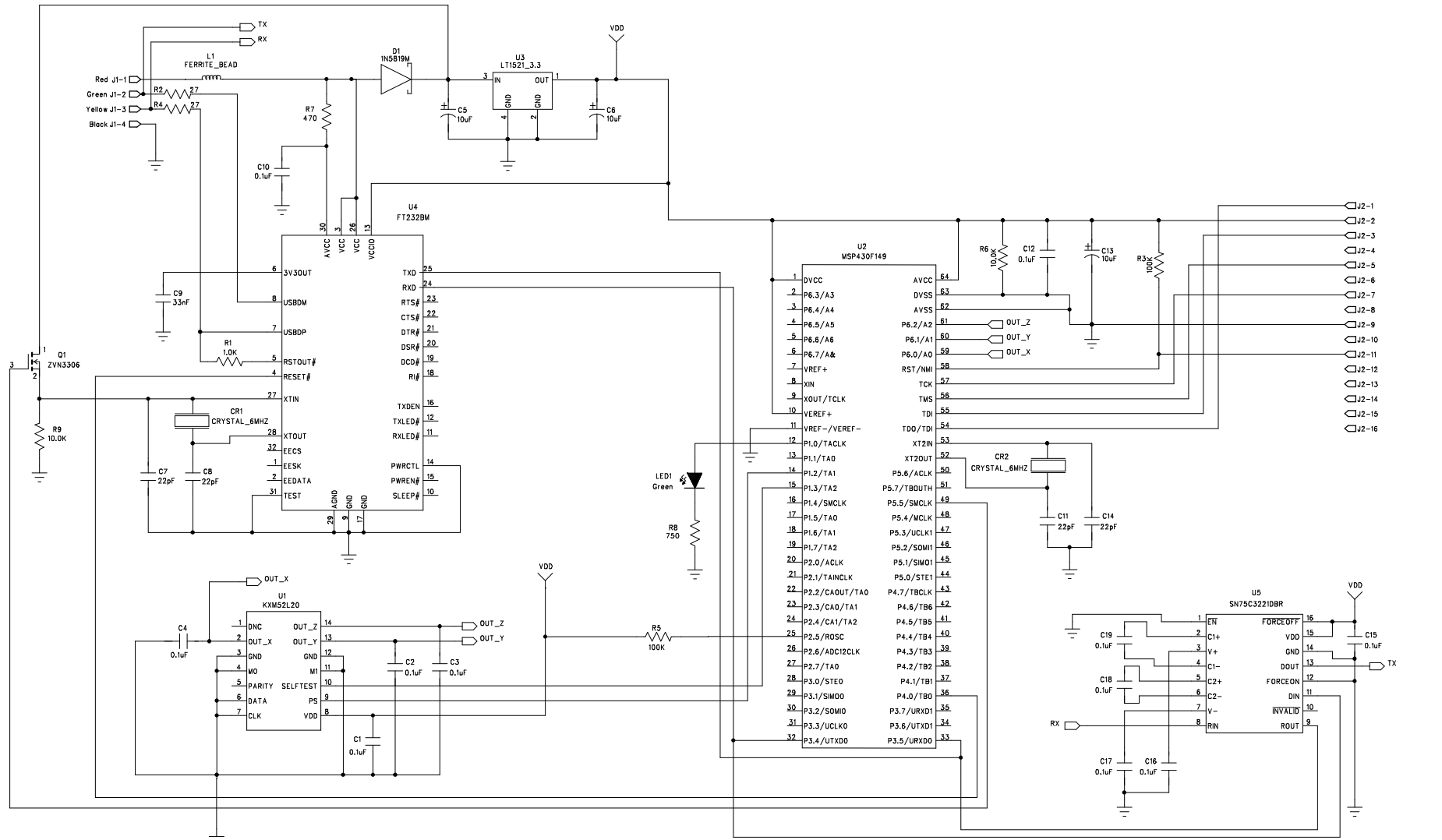
A

D

C

B

A



COMPANY: Kionix, Inc.			
TITLE: USB Demo Board			
DRAWN: Bob Ross	DATED: 10/25/04	CODE:	SIZE: C
CHECKED:	DATED:	DRAWING NO: KAMMDJ001R03	REV: 0
QUALITY CONTROL:	DATED:	SCALE:	SHEET: 1 OF 1