

6

5

4

3

2

1

REVISION RECORD			
LTR	ECD NO:	APPROVED:	DATE:

D

D

C

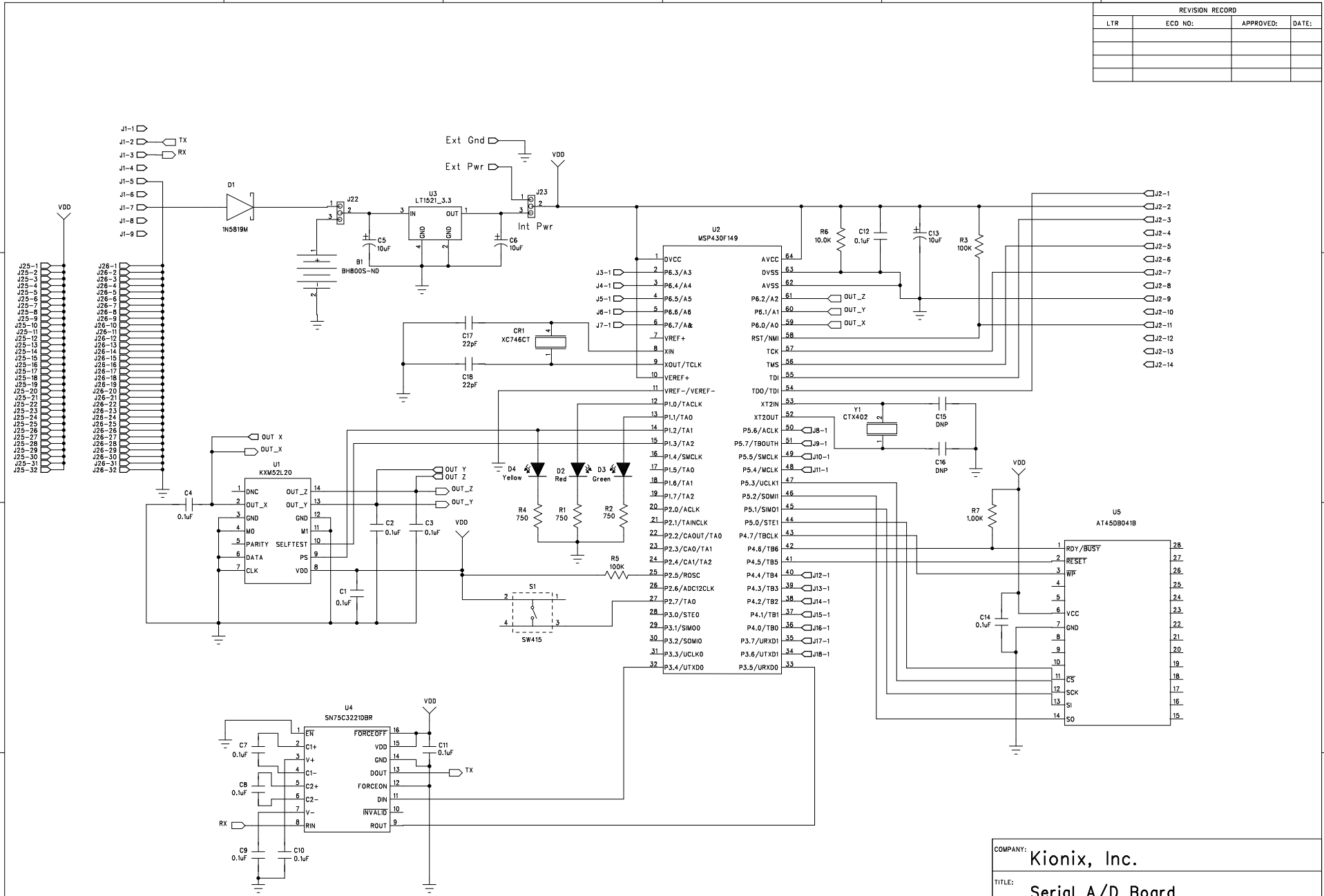
C

B

B

A

A



COMPANY: Kionix, Inc.

TITLE: Serial A/D Board

DRAWN: Bob Ross	DATED: 6/9/04
CHECKED:	DATED:
QUALITY CONTROL:	DATED:
RELEASED:	DATED:

CODE:	SIZE: C	DRAWING NO: KAMMDJ001R01	REV: 0
SCALE:			SHEET: 1 OF 1